

Electrochemical Etching System for STM tip

Model UTE-1001

UTE-1001 makes a very sharp STM tip by electrochemical etching. A tungsten wire submerged into Potassium Hydroxide solution is applied voltage and at the end of the tip comes to very sharp. UTE-1001 shut down automatically when etching process finished, so you can get nearly same quality tip if you use same concentration about reagent and voltage.



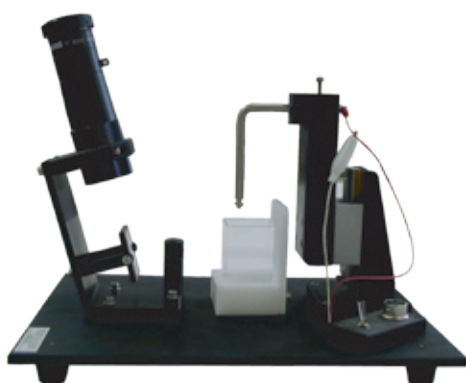
Electrochemical Etching System for Stm tip UTE-1001

▶ Component

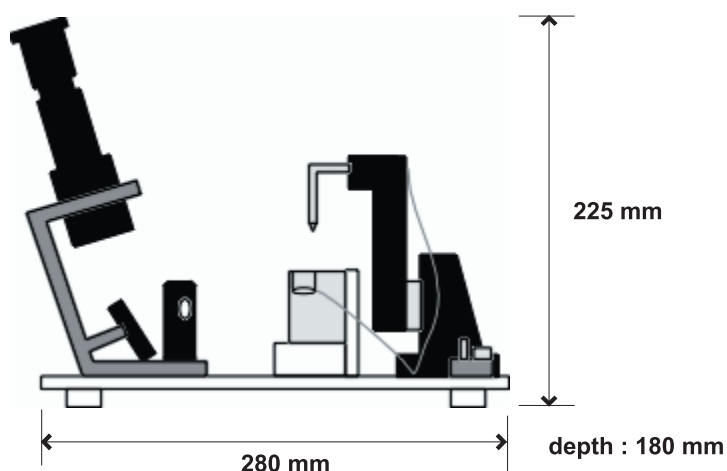
Main Unit	: 1
Power Supply	: 1
Cable	: 1
Electrochemical Cell	: 1
Cell Table	: 1
Accessories	: 1
Mini Maglite	: 2
Tungsten Wire (phi 0.3mm x 30mm)	: 3

▶ Specifications

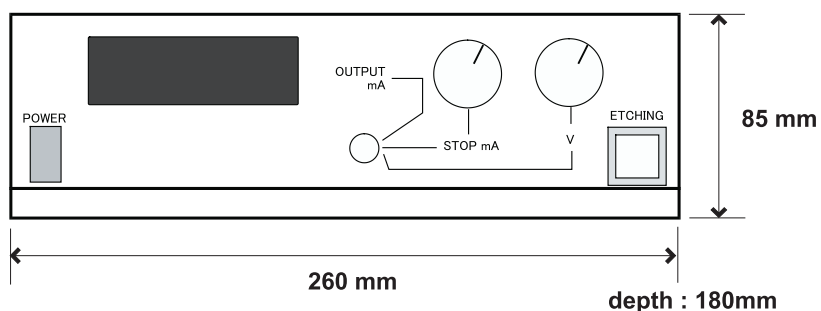
Input Power	: 100,115,120,220,240VAC (Selectable, but it must be ordered with original order, cannot be added later as option)
Voltage Setting	: DC 0~12V
Stop Current	: 0~3mA
Tip Material	: Tungsten (phi 0.3mm)
Tip Curvature Radius	: tens of nano meter



Main Unit



Controller / Power supply



Instrumental components subject to change without prior notice for improvement in performance.

Unisoku Co., Ltd.

2-4-3, Kasugano, Hirakata, Osaka 573-0131, Japan

Tel: 81-72-858-6456 Fax: 81-72-859-5655

e-mail: info@unisoku.co.jp

URL: <http://www.unisoku.co.jp>